

Cougar® P Series Piston Vibrators

Tough materials that are sticky, coarse, and high in moisture content require linear force to flow freely. Powerful **Cougar® P Series Piston Vibrators** provide the force that activates free flow of such materials.

BENEFITS

- **Economical**
Low initial cost, plus labor savings by eliminating pounding, poking, and sledging of hoppers, ensures material flow with a cost savings.
- **Minimal Maintenance**
Limited maintenance required for life of the vibrator when used with filtered and lubricated air.
- **Reduce Hopper Damage**
Reduce equipment damage caused by sledging and poking.
- **Versatility**
Variable control of force and frequency to meet a variety of material conditions.



PERFORMANCE DATA

Model	Starting	40 psi (2.76 bar)			60 psi (4.14 bar)			80 psi (5.51 bar)			db†	Weight lb (kg)	Inlet Size in. (mm)
		Speed VPM	cfm (L/sec)	Force lb (kg)	Speed VPM	cfm (L/sec)	Force lb (kg)	Speed VPM	cfm (L/sec)	Force lb (kg)			
With or without optional internal starter spring*													
P-1.25	4 (0.27)	4200	4.5 (2.12)	180 (82)	5000	6.3 (2.97)	230 (104)	5500	8.5 (4.01)	290 (132)	101	5 (2.27)	1/4 (6)
P-2	4 (0.27)	2100	6.4 (3.02)	260 (118)	2600	9.5 (4.48)	375 (170)	2800	13.0 (6.13)	490 (222)	103	16 (7.26)	1/4 (6)
P-3	6 (0.41)	1850	9.1 (4.29)	570 (258)	2000	17.0 (8.02)	810 (367)	2200	21.0 (9.91)	985 (447)	106	43 (19.50)	3/8 (10)
P-4	10 (0.69)	1500	22.0 (10.38)	1330 (603)	1750	25.0 (11.80)	2010 (912)	1900	42.0 (19.82)	2200 (998)	118	106 (48.08)	1/2 (13)
With optional noise reduction feature**													
P-1.25Q	4 (0.27)	2500	4.5 (2.12)	95 (43)	2800	6 (2.83)	130 (59)	3200	8 (3.78)	170 (77)	85	5 (2.27)	1/4 (6)
P-2Q	4 (0.27)	2000	6.0 (2.83)	190 (86.2)	2100	9 (4.25)	250 (114)	2200	11 (5.19)	300 (136)	87	16 (7.26)	1/4 (6)
P-3Q	6 (0.41)	1450	8.5 (4.01)	280 (127)	1600	15.0 (7.08)	390 (177)	1700	17 (8.12)	500 (227)	92	43 (19.50)	3/8 (10)
P-4Q	10 (0.69)	1000	20.0 (9.44)	590 (267)	1100	22 (10.38)	820 (372)	1150	42 (19.82)	1000 (453)	97	106 (48.08)	1/2 (13)

* A Cougar® P Series Piston Vibrator will operate in virtually any position once it is started. If adverse temperatures (150° to 250°F) prevail or if the vibrator is infrequently used or mounted horizontally, a piston starter spring is recommended. To order a Cougar® P Series Piston Vibrator with a starter spring, simply put an "S" at the end of the model number (example, P-1.25S).

† Decibels measured at 4 ft and 60 psi on a 10,000 lb test block.

The Cougar® P Series Piston Vibrator is also available in a single-impacting version. Simply designate "SI" at the end of the model number (example, P-1.25SI). The starter spring is standard with these models.

** When noise levels of the standard piston units are objectionable, specify the air-cushioned model. This noise reduction feature eliminates metal-to-metal impact, staying well within OSHA requirements. A "Q" in the model number of a Cougar® P Series Piston Vibrator designates it is an air-cushioned unit (example P-1.25Q). All air-cushioned units are equipped with a piston starter spring to ensure instant starting.

All Cougar® P Series Piston Vibrators must be operated by filtered and lubricated air.

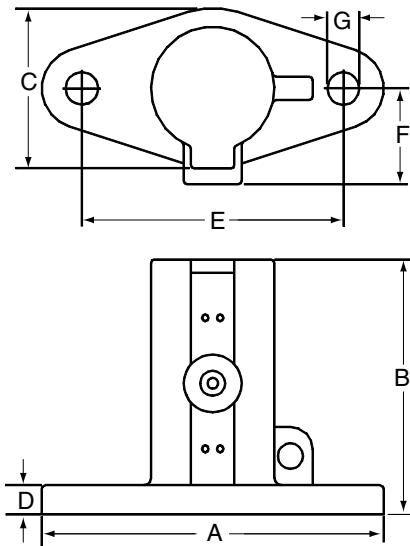
TECHNICAL DATA SHEET

DIMENSIONS—in. (mm)

Model	A	B	C	D	E	F	G
P-1.25	5.88 (149)	4.38 (111)	2.75 (70)	0.50 (13)	4.49 (114)	1.65 (42)	0.56—9/16 (14)
P-2	9.50 (241)	6.50 (165)	4.00 (102)	0.69 (18)	7.50 (191)	2.25 (57)	0.69—11/16 (18)
P-3	10.00 (254)	8.50 (216)	5.00 (127)	1.00 (25)	7.75 (197)	3.25 (83)	0.93—15/16 (24)
P-4	15.25 (387)	11.36 (289)	6.50 (165)	1.40 (36)	12.00 (305)	4.00 (102)	1.06—1-1/16 (27)

See the operator's manual for application information and mount selection.

P-1.25 and P-2 Models



P-3, P-3SI, P-3Q, P-3QM and P-4 Models

